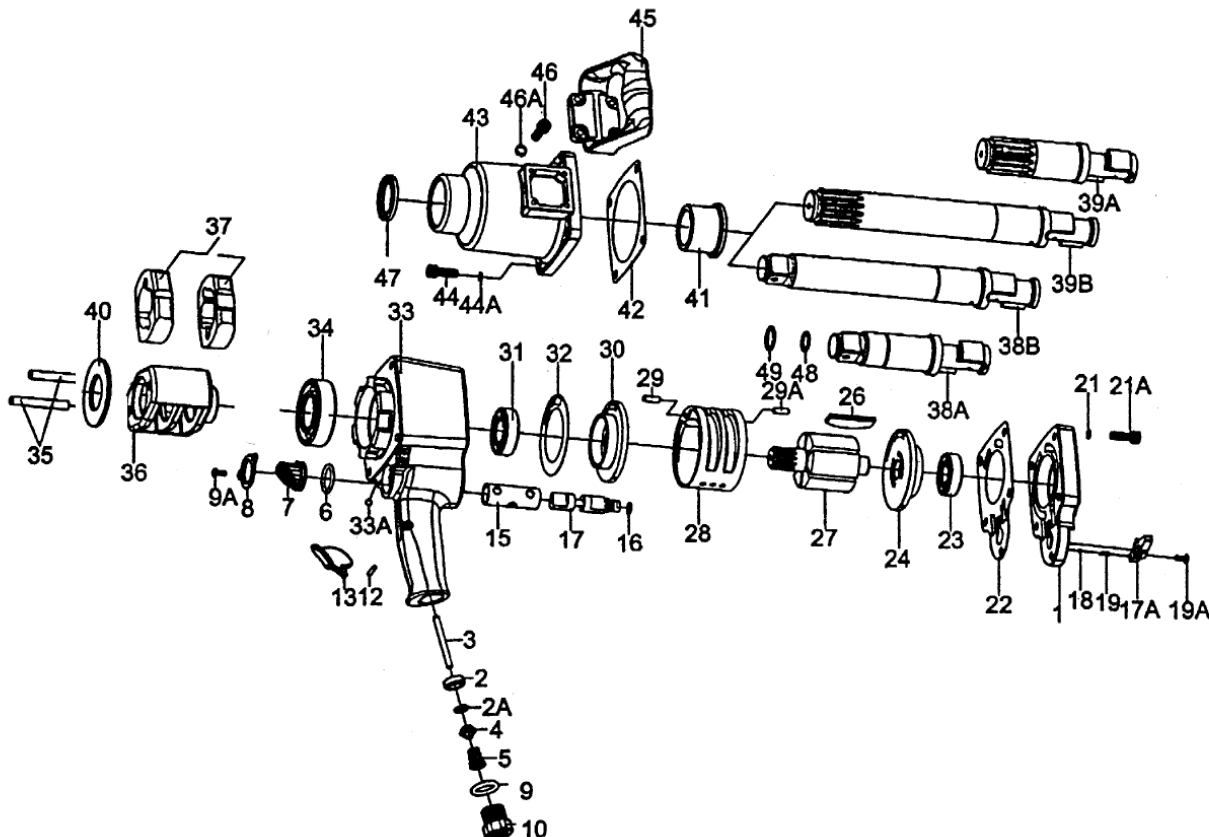


AW38PSD 1" SUPER DUTY IMPACT PRODUCT # 400434



REF	PART NUMBER	DESCRIPTION	REQ	REF	PART NUMBER	DESCRIPTION	REQ
1	PUT-AW38PSD-01	AW38PSD BACK CAP	1	28	PUT-AW38SD2-28	AW38SD2 CYLINDER	1
2	PUT-AW38PSD-02	AW38PSD THROTTLE VALVE BUSHING	1	29	PUT-AW38SD2-29	AW38SD2 PIN	1
02A	PUT-AW38PSD-02A	AW38PSD O-RING:T/UP KIT	1	29A	PUT-AW38SD2-29A	AW38SD2 PIN	1
3	PUT-AW38PSD-03	AW38PSD PIN	1	30	PUT-AW38SD2-30	AW38SD2 FRONT END PLATE	1
4	PUT-AW38PSD-04	AW38PSD THROTTLE VALVE	1	31	PUT-AW38SD2-31	AW38SD2 B/BRG USE:	1
5	PUT-AW38PSD-05	AW38PSD THROTTLE VLV SPG:T/UP KIT	1	32	PUT-AW38SD2-32	AW38PSD END PLATE GSKT:T/UP KIT	1
6	PUT-AW38PSD-06	AW38PSD O-RING:T/UP KIT	1	33	PUT-AW38PSD-33	AW38SD2 MOTOR HOUSING ASSY	1
7	PUT-AW38PSD-07	AW38PSD EXHAUST DEFLECTOR	1	33A	PUT-AW38SD2-33A	AW38SD2 STEEL BALL:T/UP KIT	4
8	PUT-AW38PSD-08	AW38PSD END CAP	1	34	PUT-AW38SD2-34	AW38SD2 B/BRG USE:	1
9	PUT-AW38PSD-09	AW38PSD O-RING:T/UP KIT	1	35	PUT-AW38SD2-35	AW38SD2 HAMMER PIN	2
9A	PUT-AW38PSD-09A	AW38PSD SCREW	2	36	PUT-AW38SD2-36	AW38SD2 HAMMER FRAME	1
10	PUT-AW38PSD-10	AW38PSD AIR INLET	1	37	PUT-AW38SD2-37	AW38SD2 HAMMER	2
12	PUT-AW38PSD-12	AW38PSD TRIGGER PIN	1	38A	PUT-AW38SD2-38A	AW38SD2 STANDARD ANVIL	1
13	PUT-AW38PSD-13	AW38PSD TRIGGER	1	38B	PUT-AW38SD2-38B	AW38SD2 6" EXT ANVIL	1
15	PUT-AW38PSD-15	AW38PSD REVERSE VALVE BUSHING	1	39B	PUT-AW38SD2-39B	AW38SD2 6" SPLINE DRIVE EXT ANVIL	1
16	PUT-AW38PSD-16	AW38PSD O-RING:T/UP KIT	1	40	PUT-AW38SD2-40	AW38SD2 THRUST WASHER	1
17	PUT-AW38PSD-17	AW38PSD REVERSE VALVE	1	41	PUT-AW38SD2-41	AW38SD2 HAMMER CASE BUSHING	1
17A	PUT-AW38PSD-17A	AW38PSD AIR REGULATOR	1	42	PUT-AW38SD2-42	AW38SD2 HAMMER CASE GSKT:T/UP KIT	1
18	PUT-AW38PSD-18	AW38PSD STEEL BALL:T/UP KIT	1	43	PUT-AW38SD2-43	AW38SD2 HAMMER CASE	1
19	PUT-AW38PSD-19	AW38PSD SPRING:T/UP KIT	1	44	PUT-AW38SD2-44	AW38SD2 HAMMER CASE CAP SCREW	4
19A	PUT-AW38PSD-19A	AW38PSD SCREW	1	44A	PUT-AW38SD2-44A	AW38SD2 WASHER	4
21	PUT-AW38PSD-21	AW38PSD WASHER	5	45	PUT-AW38SD2-45	AW38SD2 SIDE HANDLE	1
21A	PUT-AW38PSD-21A	AW38PSD SCREW	5	46	PUT-AW38SD2-46	AW38SD2 SCREW	4
22	PUT-AW38PSD-22	AW38PSD HANDLE GASKET:T/UP KIT	1	46A	PUT-AW38SD2-46A	AW38SD2 WASHER	4
23	PUT-AW38SD2-23	AW38SD2 B/BRG USE:	1	47	PUT-AW38SD2-47	AW38SD2 HAMMER CASE SEAL	1
24	PUT-AW38SD2-24	AW38SD2 REAR END PLATE	1	48	PUT-AW38SD2-48	AW38SD2 SOCKET RETAINER O-RING	1
26	PUT-AW38PSD-26	AW38PSD ROTOR BLADE:T/UP KIT	6	49	PUT-AW38SD2-49	AW38SD2 SOCKET RETAINER	1
27	PUT-AW38SD2-27	AW38SD2 ROTOR	1				
**	PUT-AW38PSD-TK	AW38PSD TUNE UP KIT INCLUDES:2A,5 6,9,16,18,19,22,26,32,33A,42,48,49					